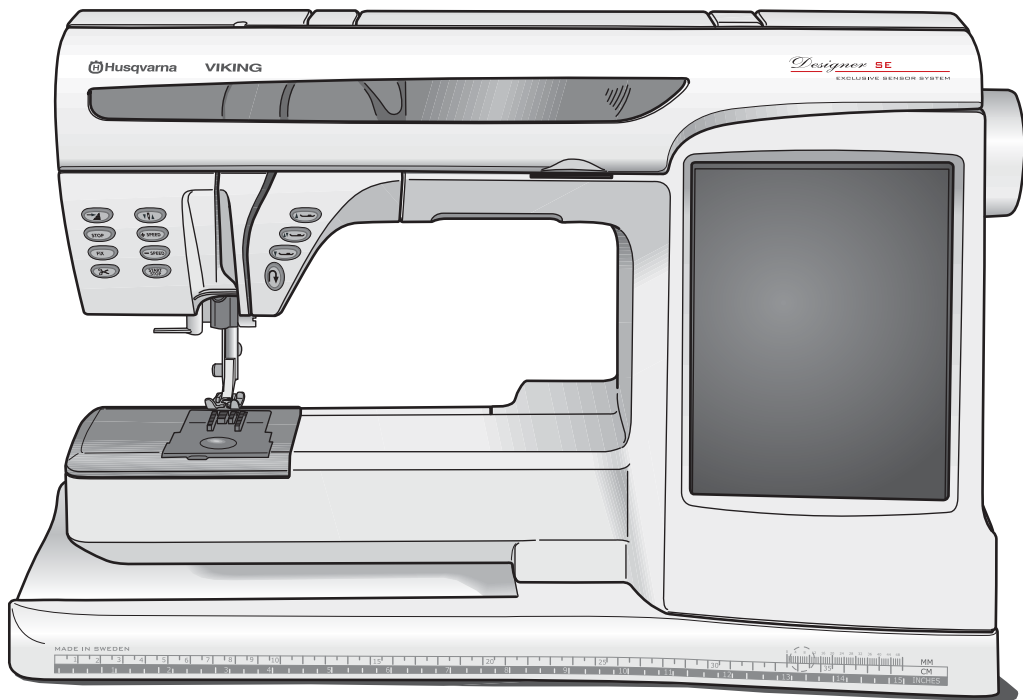


Parts List



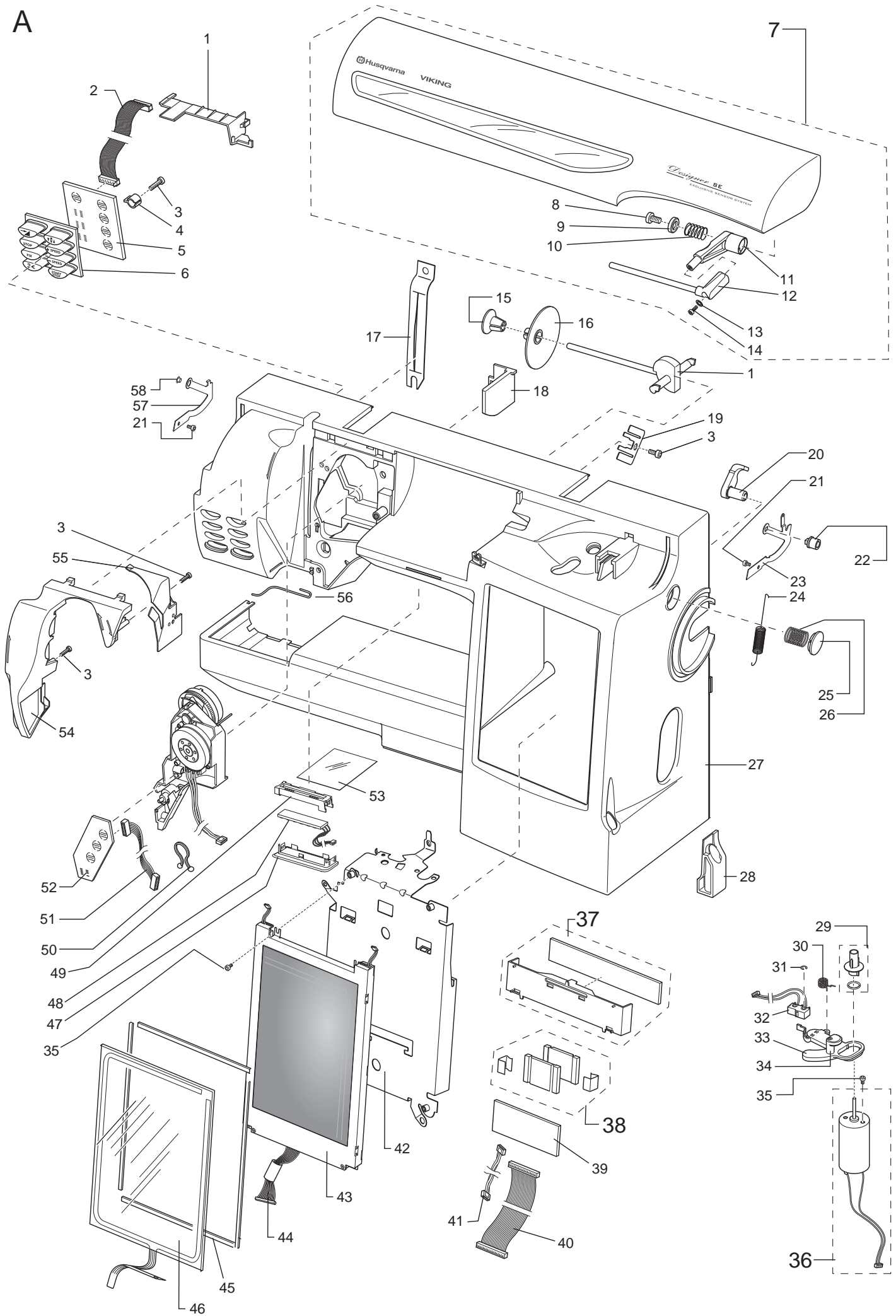
Designer SE

EXCLUSIVE SENSOR SYSTEM

Designer SE
EXCLUSIVE SENSOR SYSTEM

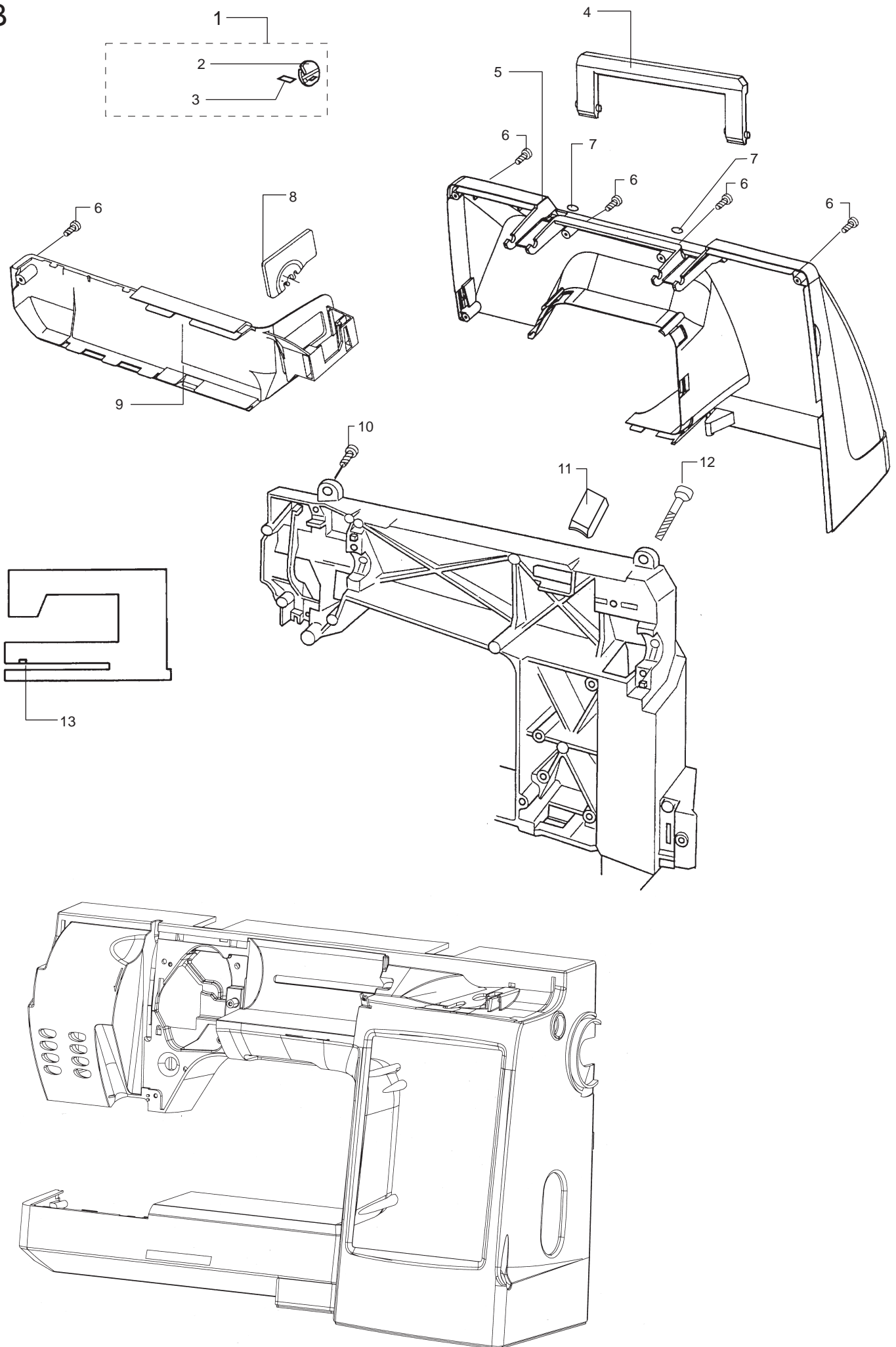
LIMITED EDITION

A



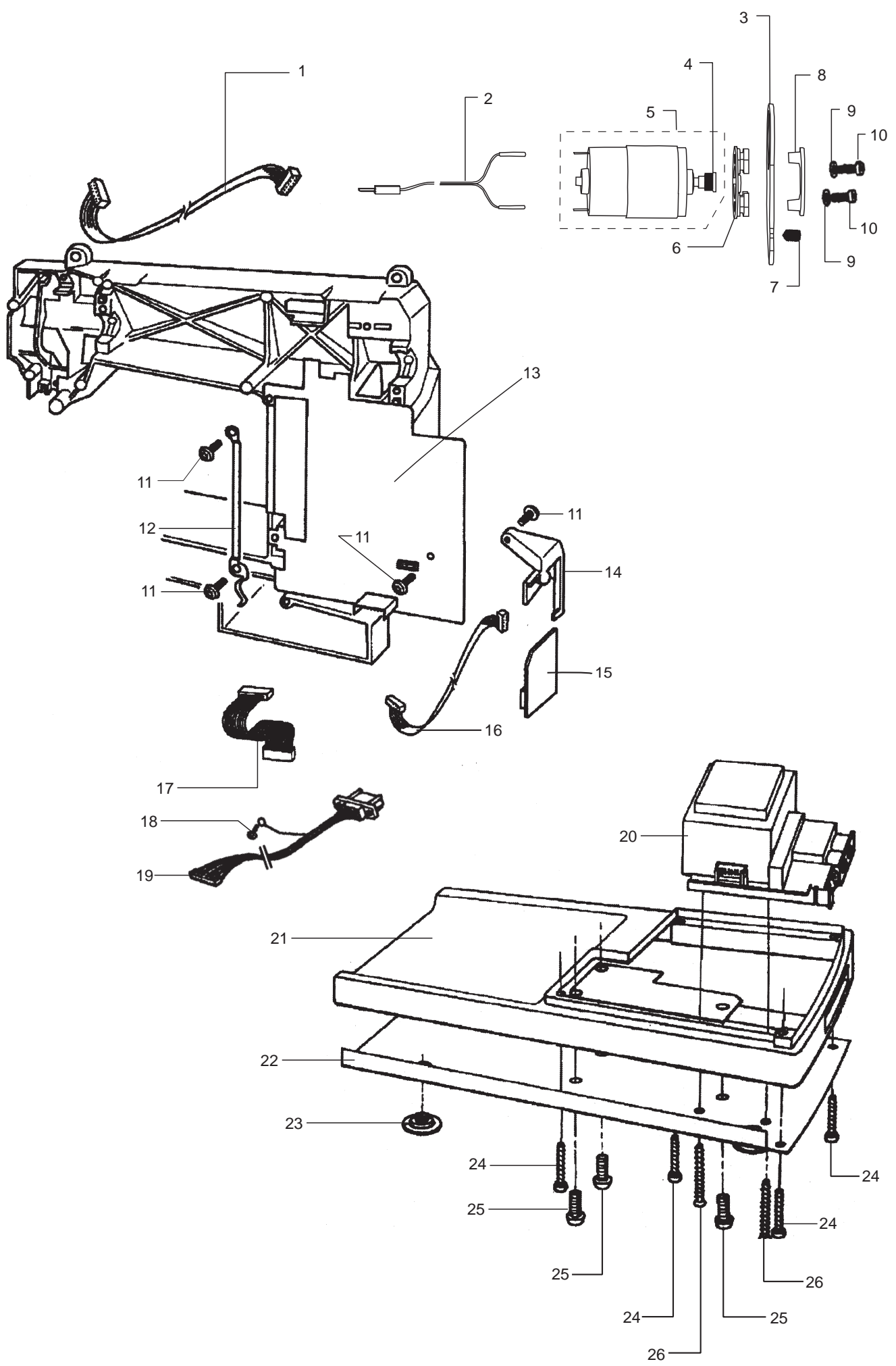
1	412797201	CABLE LOCATOR	54	412773701	THREAD GUIDE
2		CABLE ASSEMBLY (10P)	55	412740901	THREAD GUIDE ASS.
3	411966810	SCREW PT 40*20 FZB TORX	56	412544801	THREAD GUIDE
4	412549601	HOLDER	57	412859401	HINGE LID
5	412789401	KEY BOARD LEFT CPL. KEY BOARD LEFT CPL.	58		BUSHING
6	412794901	BUTTON LEFT			
7	412737601	LID CPL. LID CPL.			
8	411966801	SCREW PT 30*7,5 FZB TORX			
9		BUSHING			
10		SPRING			
11		HOLDER			
12		THREAD REEL PIN			
13		WASHER			
14	411966823	SCREW PT 18*5 FZB TORX			
15	412371101	THREAD REEL DISC 20MM (WHITE)			
16	412371102	THREAD REEL DISC 40MM (WHITE)			
17	412480902	SEAL TAKE UP LEVER			
18	412797301	CABLE LOCATOR UPPER SHAFT			
19	412735201	PLATE SPRING			
20	412774801	CATCH, LOCKING LEVER			
21	412211401	SCREW M3*4 TORX			
22	412703501	FRICITION JOINT			
23	412737001	HINGE COVER			
24	412798401	SPRING			
25	412775001	SPRING FOR LID OPENING BUTTON			
26	412774901	LID OPENING BUTTON			
27	412901401	FRONT COVER CPL.			
28	412830001	HOLDER, STYLUS			
29	412725901	WINDING SHAFT			
30	412757701	TORSION SPRING,WINDING STOP			
31		COMPRESSION RING Ø2			
32		MICRO SWITCH CPL.			
33	412735101	LEVER,WINDING STOP			
34	412345001	ECCENTRIC WINDING STOP			
35		SCREW M 2,5*3 FZB TORX			
36	412775801	BOBBIN WINDER MOTOR CPL.			
37	412960001	INVERTER CPL.			
38		FERRITE			
39	412795701	CONNECTOR BOARD DISPLAY			
40	412546907	CABLE ASSEMBLY (20P)			
41	412829701	CABLE FRONT, INVERTER			
42		FRAME DISPLAY			
43		DISPLAY			
44	412538005	DISPLAY CABLE			
45	412922801	SEALING 4 PCS			
46		KEY BOARD DISPLAY			
47	412789701	LED UNIT			
48	412794101	LAMP COVER			
49		LED HOLDER			
50	412577503	CABLE HOLDER			
51	412546908	CABLE ASSEMBLY (10P)			
52		KEY BOARD RIGHT			
	412787401	KEY BOARD RIGHT			
53	412842701	COOLING TAPE, LED ARM			

B



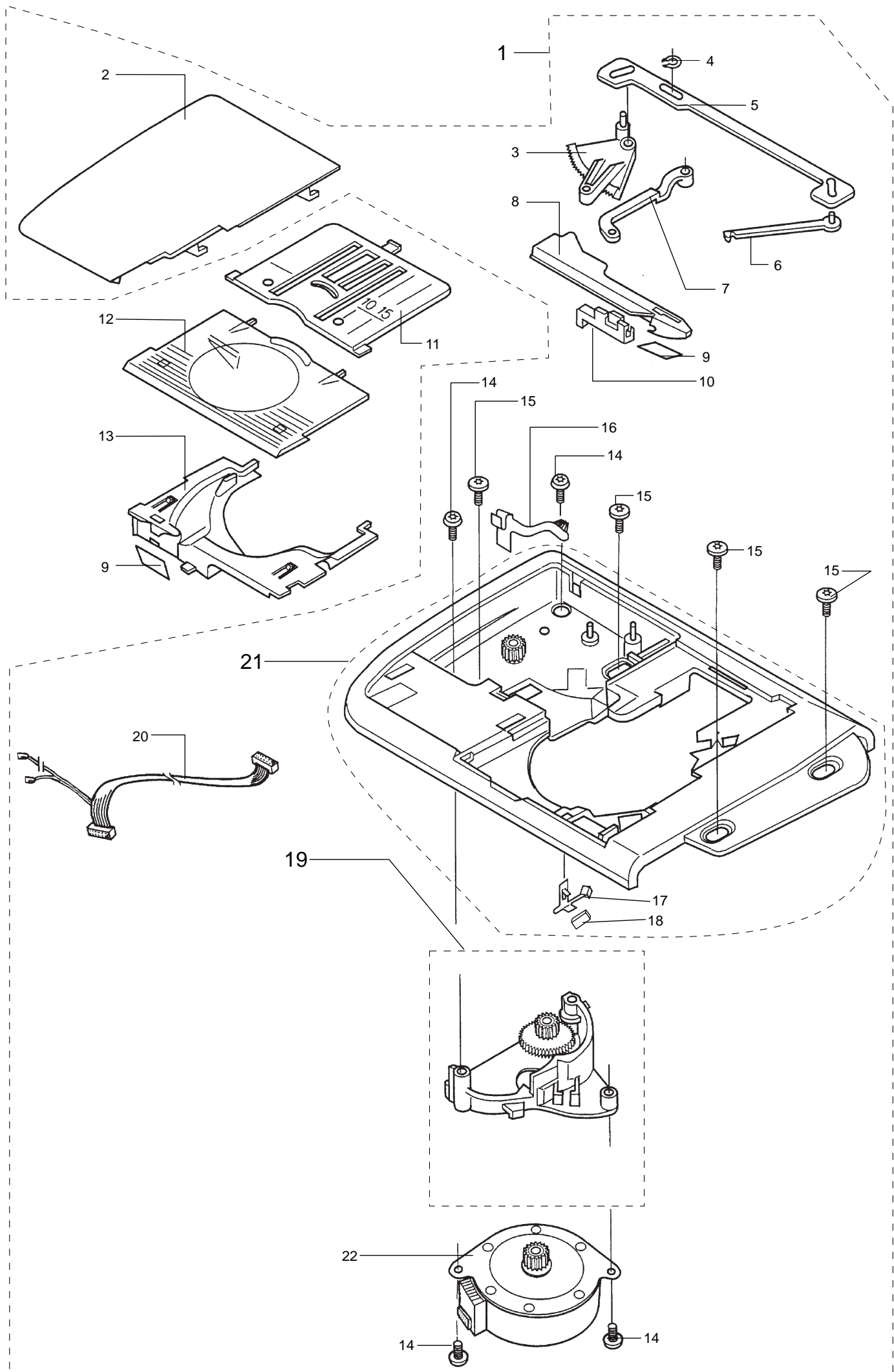
1	412452301	THREAD CUTTER
2	412452401	WASHER FOR CUTTER
3	412423701	THREAD CUTTER
4	412771201	HANDLE
5	412770901	BACK COVER
6	411966803	SCREW PT 30*12 FZB TORX
7	412569701	DAMPER
8		COVER
9	412522801	COVER PLATE FREE ARM
10	411966810	SCREW PT 40*20 FZB TORX
11		DISTANCE
12	411966812	SCREW PT 40*40 FZB TORX
13		SEALING WASHER

C



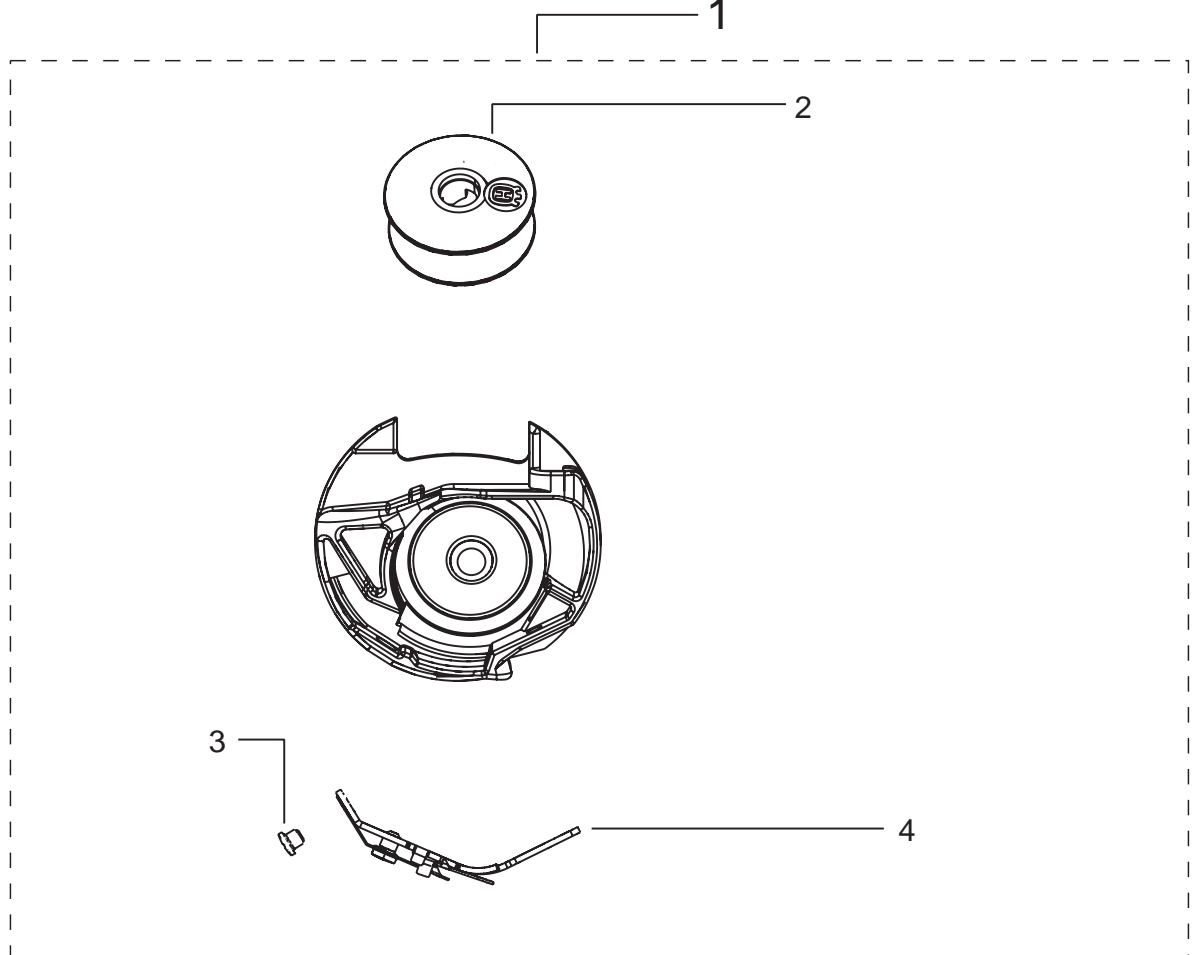
1	412546901	CABLE ASSEMBLY (18P)
2	412349601	CABLAGE MOTOR 400
3	412339301	ATTACHMENT MOTOR
4	412353302	DRIVING WHEEL MOTOR 350, 400, 500
5	412901201	DRIVING MOTOR CPL.
6	412339401	MUFFLER
7	411966820	SCREW 30*10 FZB KOMBITORX
8	412494901	DISTANCE
9	735213601	LOCK WASHER Ø4 3 TEETH OUT FZB
10	412211414	SCREW M4*16 TORX
11	412056006	SCREW TAPTITE M4*12 TORX
12	412545601	SPRING
13	412793845	PC BOARD MAIN
14	412516401	HOLDER, POSITION DETECTOR
15	412559301	SENSOR BOARD ASSEMBLY
16	412546904	CABLE ASSEMBLY (6P)
17	412349702	CABLE TRANSF.-CONTROL BOARD
18	412056010	SCREW TAPTITE M3*10 TORX
19	412558201	CABLE ASS.
20	412564305	POWER SUPPLY
21	412771101	BOTTOM COVER
22	412523401	BASE PLATE
23	412305001	RUBBER FOOT, BASE PLATE
24	411966812	SCREW PT 40*40 FZB TORX
25	412056001	SCREW TAPTITE M5*14 TORX
26	411967107	SCREW PT FS 40*35 FZB TORX

D

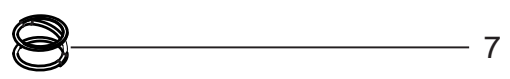
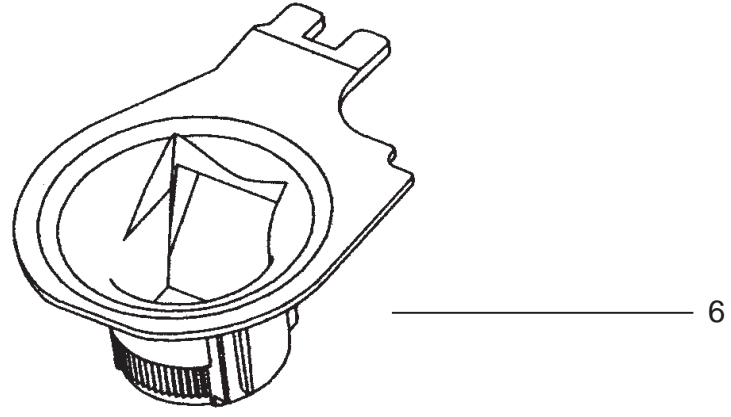
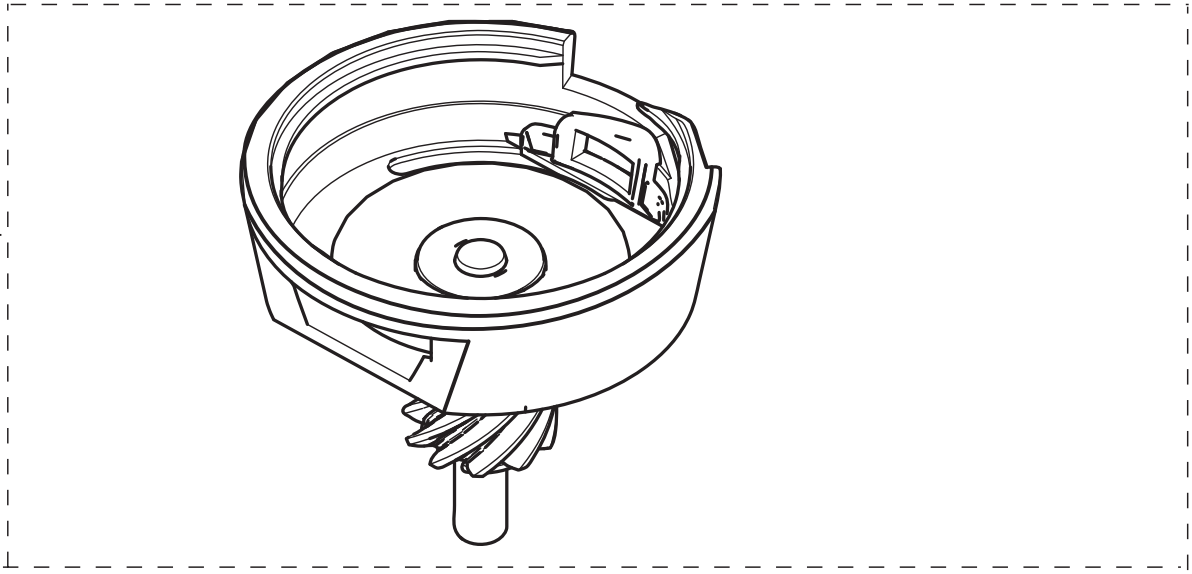


1	412901601	GRIP LOCK CPL.
2	412510501	COVER, THREAD CUTTER
3		COG SEGMENT
4	735611340	WASHER
5	412509701	SLIDE
6	412510101	THREAD HOOK ASS.
7		LEVER
8	412545403	FETCHER
9	412423701	THREAD CUTTER
10	412795001	KNIFE SLIDE
11	412789601	STITCH PLATE
12	412513401	BOBBIN COVER
13	412513301	CASE HOLDER ASS.
14	411966801	SCREW PT 30*7,5 FZB TORX
15	412287903	SCREW M4*5 FZB
16	413157401	THREAD BRAKE CPL. CUT
17		SPRING
18	412508801	DAMPER
19		GEAR BOX ASS.
20	412513102	CABLE LOWER THR.SENSOR
21	412901501	HOOK COVER
22		STEPPING MOTOR ASS.

E

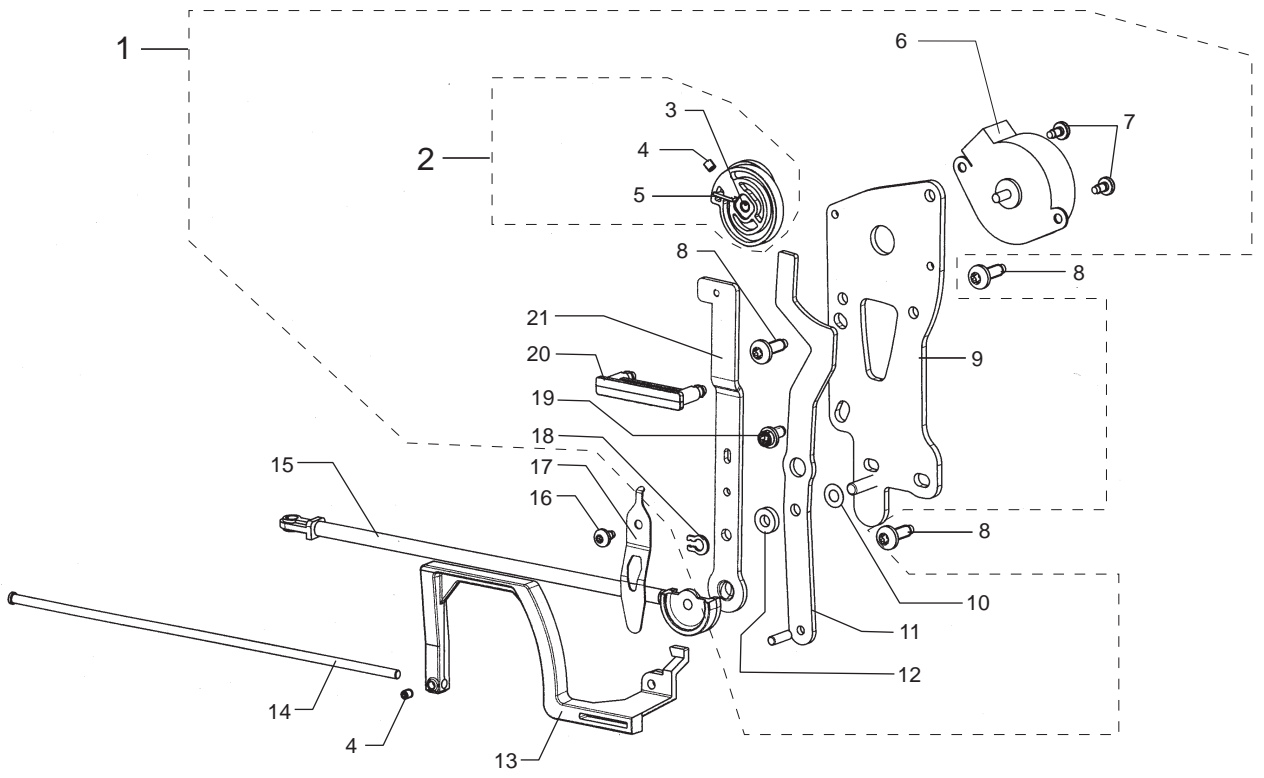


5

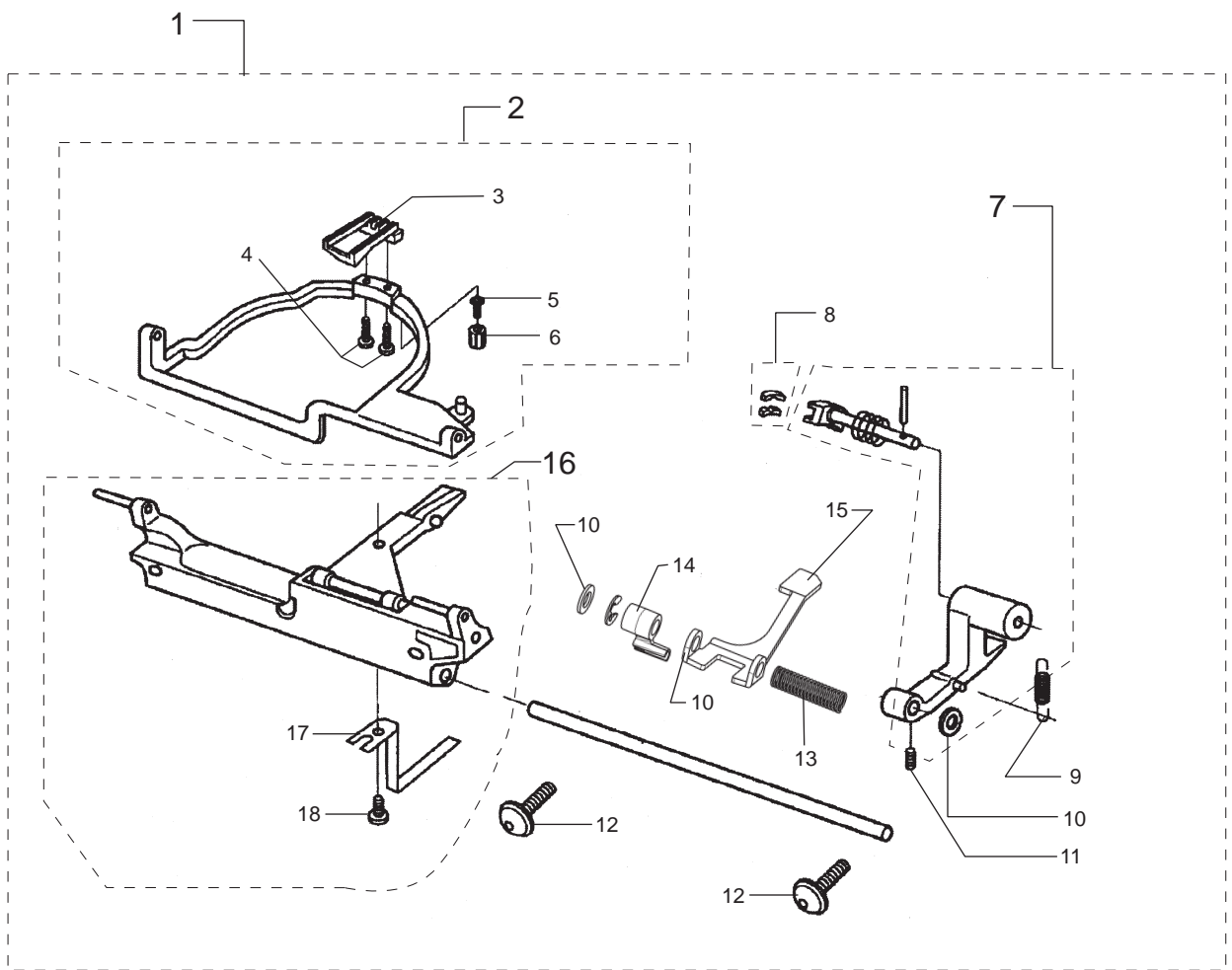


1	413058901	BOBBIN CASE CPL.
2	413182545	PLASTIC BOBBINS 10 PACK
3		SCREW, BOBBIN CASE
4	412471601	THREAD TENSION CPL.
5	68016090	HOOK CPL. WITH SHAFT
6	412934801	DUST SHIELD
7	412930101	SPRING, HOOK
8	728528705	SCREW M4*8

F



G



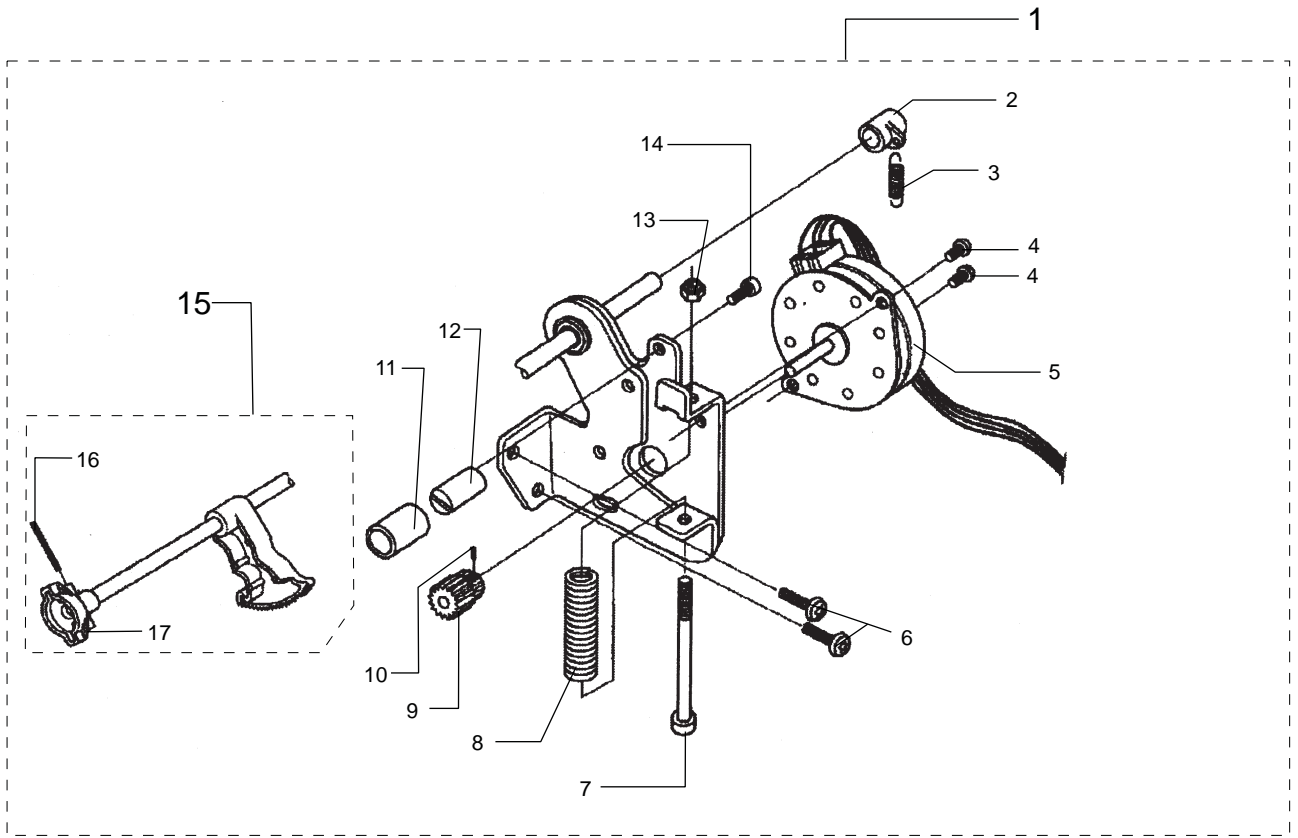
F

1	412773001	SIDE FEED/FEED DOG LOWERING CPL.
2	412772901	CAM WHEEL CPL.
3		HUB
4	411968703	SET SCREW FLAT M3*3 TORX
5	412796601	BUFFER
6	412556201	STEPPER MOTOR
7	412056004	SCREW TAPTITE M3*6 TORX
8	412056006	SCREW TAPTITE M4*12 TORX
9		FRAME SIDE FEEDING
10	412877001	WASHER
11		LEVER, FEED DOG LOWERING
12		DISTANCE WASHER
13	412772801	LINK FEED DOG LOWERING
14		PULL ROD
15	412506601	DRAW BAR
16	412056010	SCREW TAPTITE M3*10 TORX
17		CLAMP
18	735613640	COMPRESSION RINGS Ø4
19	412507301	ECCENTRIC
20		GUIDE
21	412772301	LEVER, SIDE FEED

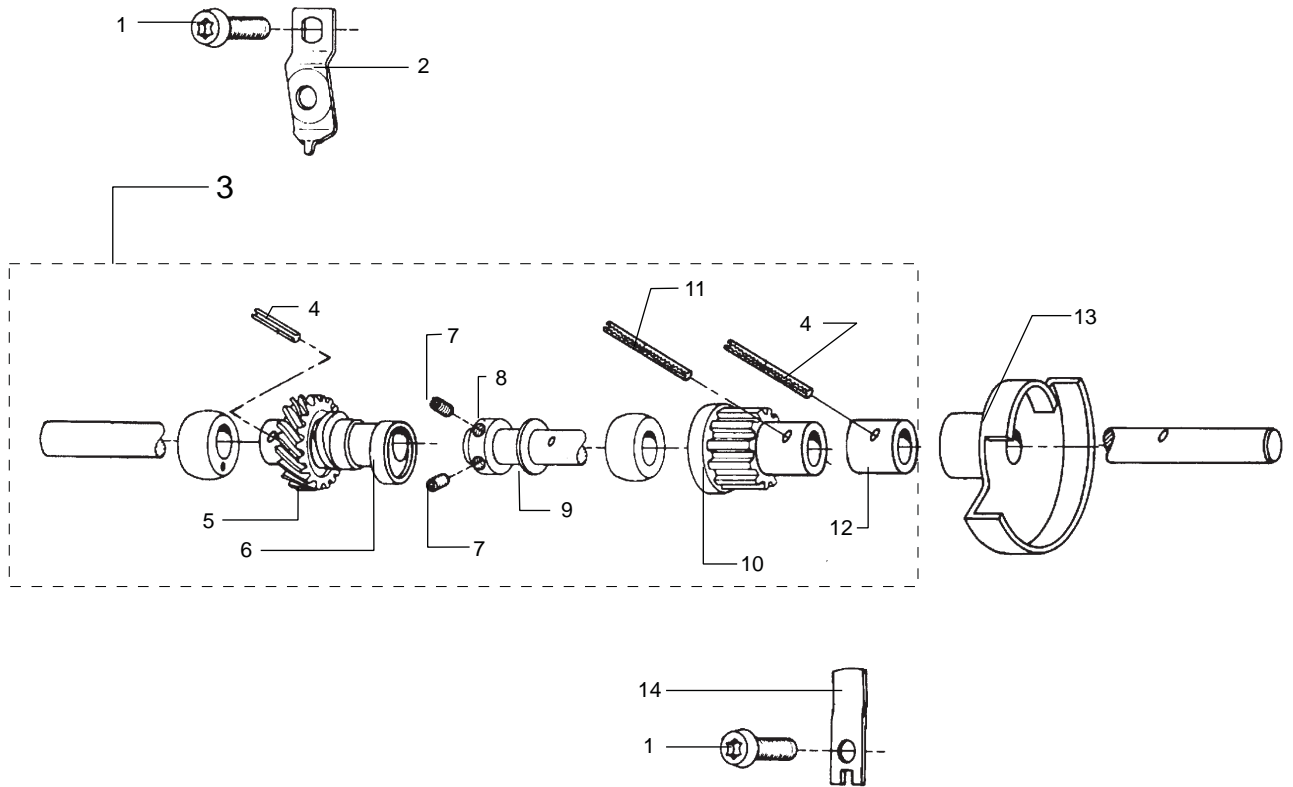
G

1	412513603	FEEDING UNIT CPL.
2	412515003	FEED DOG CPL.
3	412790601	FEED DOG
4	412211420	SCREW M2,5*12 8.8 FZB TORX
5	412318401	BUSHING, FEED DOG
6	412378201	NUT
7	412513701	FRAME FEED UNIT CPL.
8	412514301	BLOCK GUIDE
9	412515301	SPRING
10		WASHER
11		SCREW M4*4
12	412281902	SCREW FLANGE M4*14 TT TORX
13		SPRING
14		ATTACHMENT, PULL ROD
15	412515401	LEVER, FEED LIFT
16	412514401	FEED CARRIGE
17	412514901	SPRING, LINK
18	412056011	SCREW TAPTITE M3*5 TORX

H



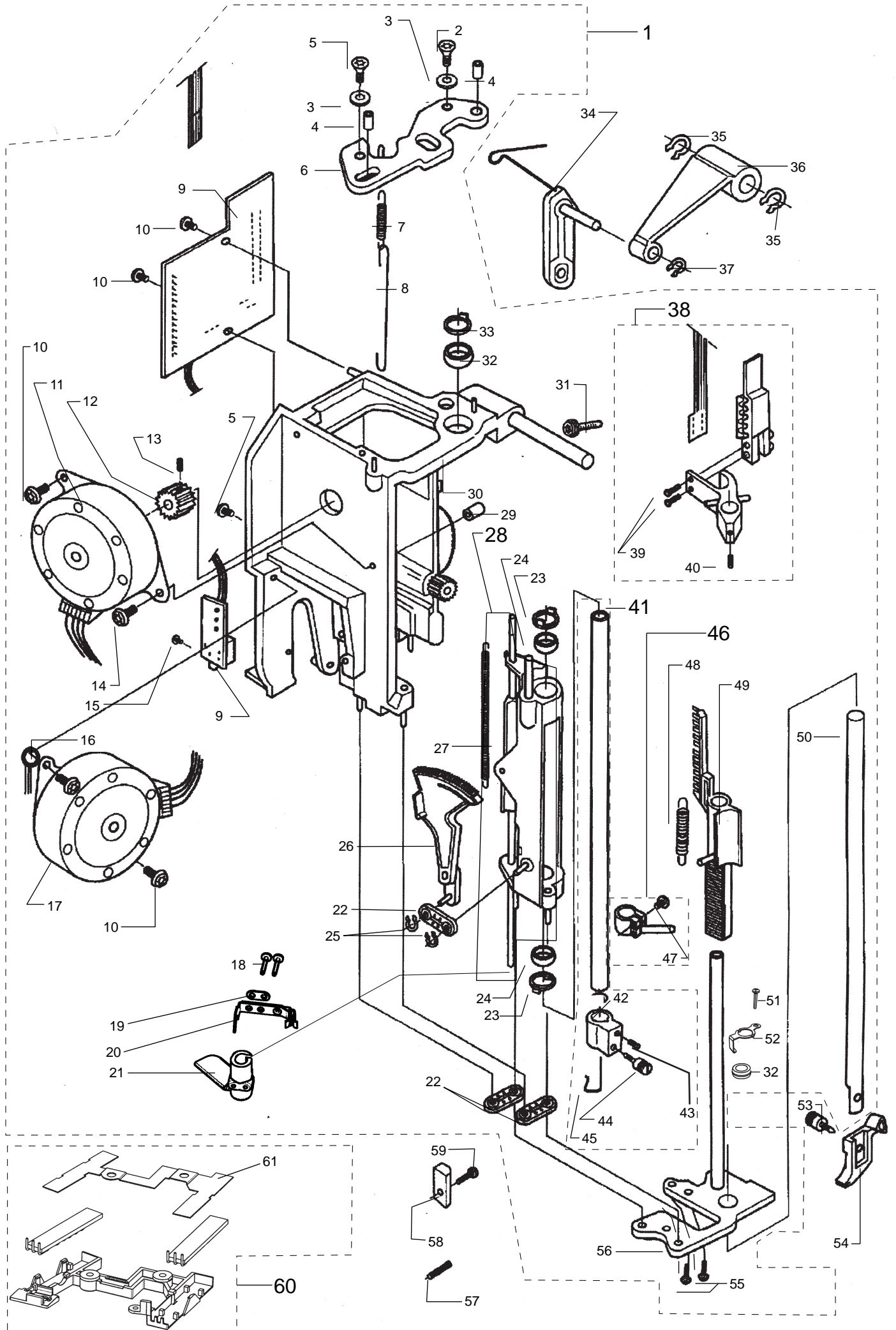
I



1	412540203	FEEDING STEP MOTOR CPL.
2		FASTENER SPRING
3		SPRING SEGMENT
4	412056004	SCREW TAPTITE M3*6 TORX
5	412323411	STEPPER MOTOR
6	412056006	SCREW TAPTITE M4*12 TORX
7		FEED MECH SET SCREW
8		SPRING
9		COG WHEEL
10	411968703	SET SCREW FLAT M3*3 TORX
11		DAMPER
12		CALIBRATION STOP
13		LOCKING NUT
14		SCREW M3*6
15	412541001	SHAFT FEEDING CPL.
16		PIN
17		JOINT CROSS

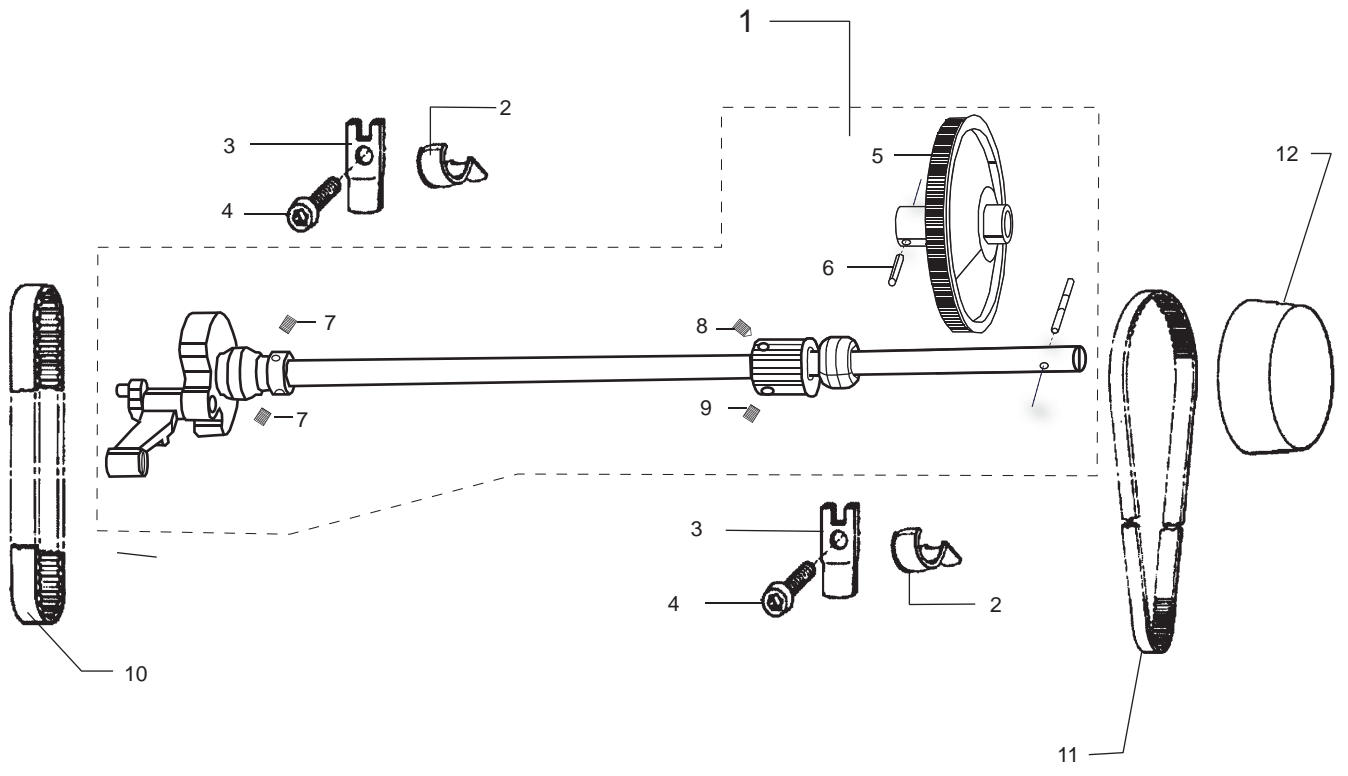
1	412056006	SCREW TAPTITE M4*12 TORX
2	412318101	CLAMP LOWER SHAFT
3	412516802	LOWER SHAFT CPL.
4		TUBE PIN
5		HELICAL GEAR
6	412516901	ECCENTRIC FEED
7		SCREW
8		RETAINING RING
9	412829101	WASHER, LOWER SHAFT
10		PULLEY FOR LOWER SHAFT
11		PIN
12		DISTANCE
13		SCREEN
14	412328401	CLAMP

J

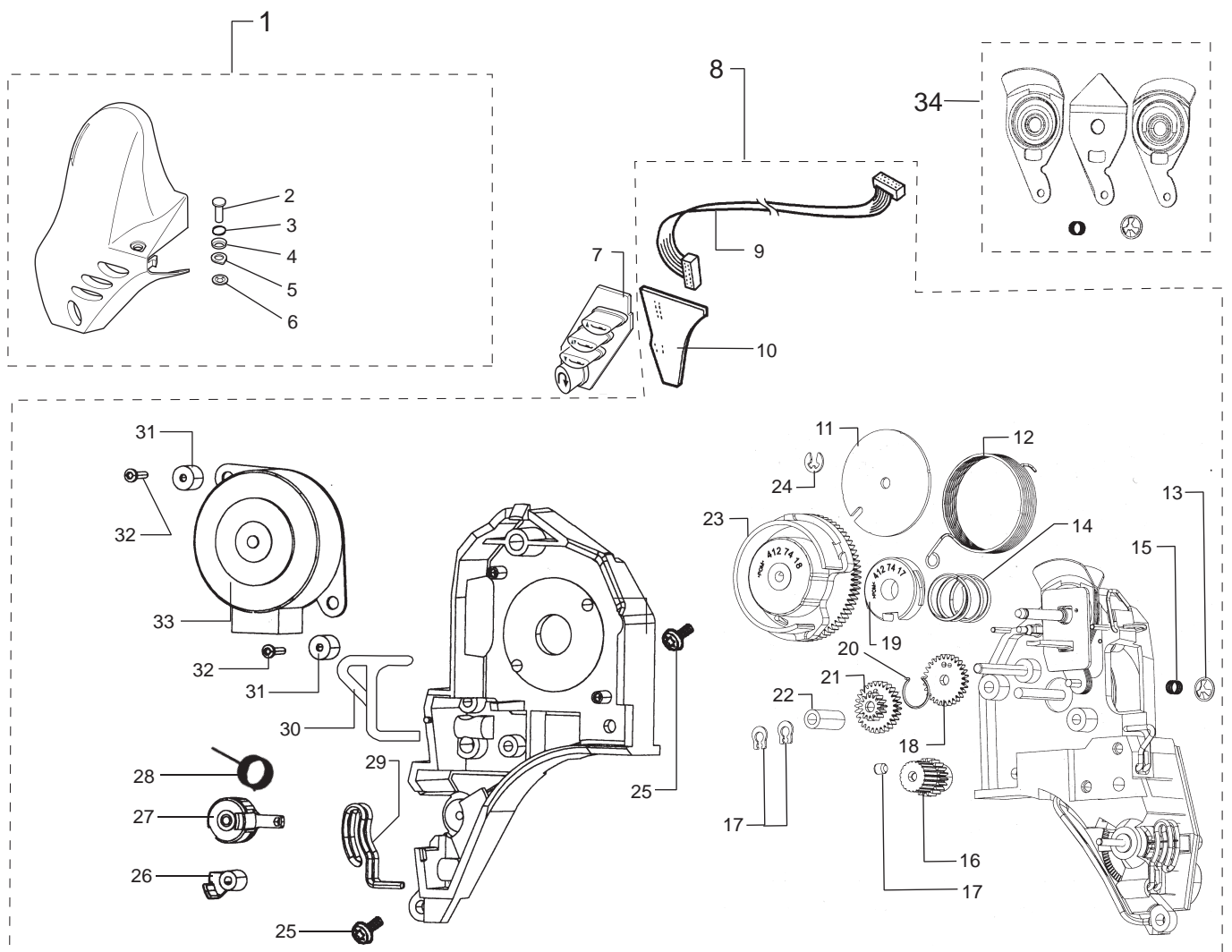


1	412901301	SERVO SEW. HEAD	57	728522205	SOCKET SET SCREW FLAT POINT
2	412211406	SCREW M3*14 TORX	58	412504601	WEDGE
3		WASHER Ø 9/3,2-0,9 FZB	59	725522805	SCREW M3*16 INSEX
4		ECCENTRIC NEEDLE BAR	60	412792801	LED CPL
5		SCREW PT 30*14 FZB TORX	61	412842801	COOLING TAPE, LED, SEWING HEAD
6	412502201	ADJUST. SLIDE			
7	412501001	SPRING			
8		SPRING			
9	412812401	CONNECTING BOARD			
10	411966801	SCREW PT 30*7,5 FZB TORX			
11	412323408	STEPPER MOTOR			
12	412336280	COG WHEEL			
13	411968703	SET SCREW FLAT M3*3 TORX			
14	412211404	SCREW M3*10 TORX			
15	411966821	SCREW PT 18*10 FZB TORX			
16		CABLE ASS.			
17	412505601	STEP MOTOR			
18	411966825	SCREW PT 16*8 FZB TORX			
19	412876701	WASHER, NEEDLE THREADER			
20	413238402	NEEDLE THREADER			
21	412876801	HOLDER, NEEDLE THREADER			
22	412501101	LINK			
23	412504701	LOCKING DEVICE			
24	412501501	BEARING 10/6,35-4			
25	735611840	COMPRESSION RING 2,5			
26		GEAR SEGMENT			
27	412316901	SPRING			
28		NEEDLE BAR CPL.			
29		CALIBRATION STOP			
30		SEWING HEAD, FRAME CPL.			
31	412281902	SCREW FLANGE M4*14 TT TORX			
32	412500601	BEARING			
33		LOCKING DEVICE			
34		THREAD TAKE UP			
35	735615340	COMPRESSION RINGS Ø6			
36		LINK			
37	735613640	COMPRESSION RINGS Ø4			
38	412503401	PRESSER BAR GUIDE			
39		SCREW PT 15*12 FZB TORX			
40		SCREW M4*6			
41	68003680	NEEDLE BAR CPL.			
42		NEEDLE CLAMP			
43		SCREW			
44		SCREW NEEDLE CLAMP			
45		THREAD GUIDE			
46	412993601	CROSS HEAD CPL.			
47	412211403	SCREW M3*8 TORX			
48		SPRING PRESSER FOOT			
49		RACK SEWING HEAD			
50	412285402	PRESSER BAR			
51	412211401	SCREW M3*4 TORX			
52	413052201	CLIPS LOWER FRAME			
53	412409701	SCREW PRESSER SHAFT			
54	412616101	HOLDER PRESSER FOOT			
55	411966803	SCREW PT 30*12 FZB TORX			
56	413025506	LOWER FRAME W. BEARING			

K



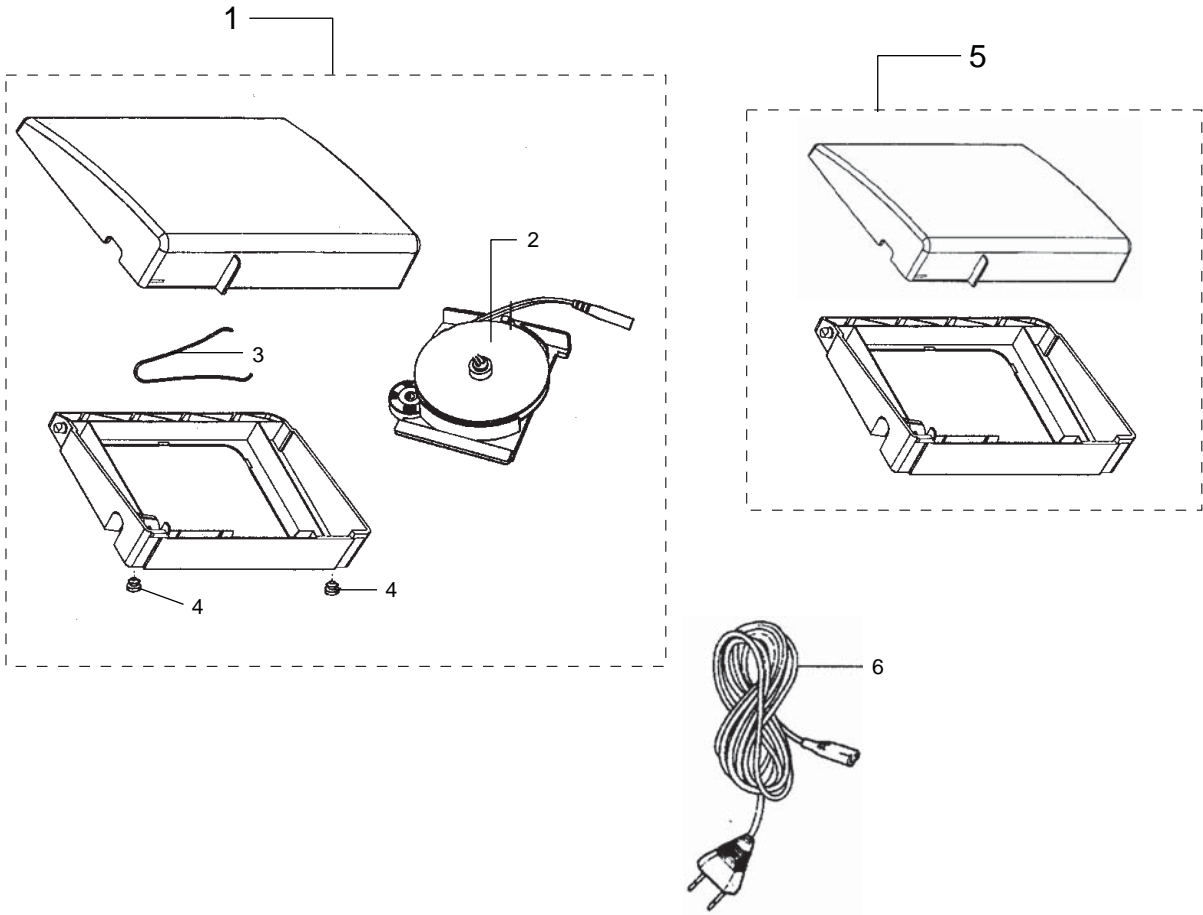
L



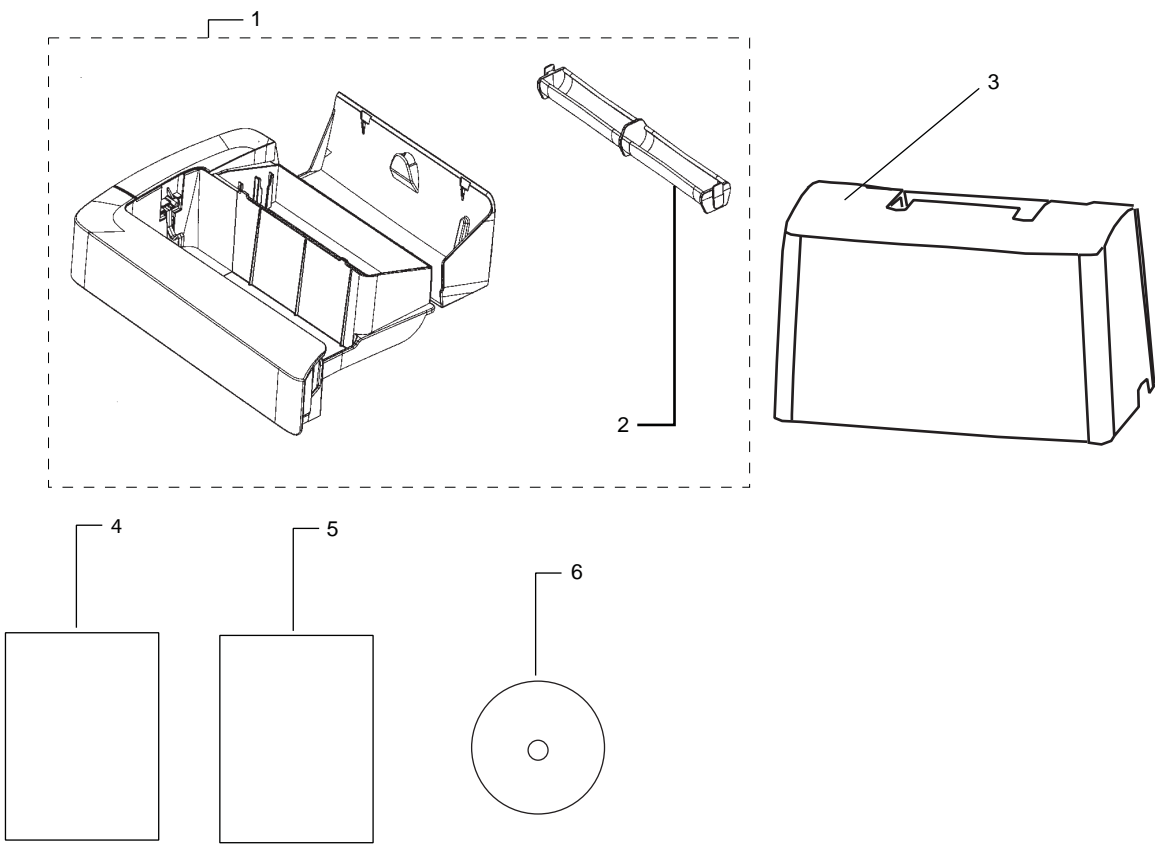
1	412368306	MAIN SHAFT CPL.
2	412558401	ABSORBER
3	412328401	CLAMP
4	412056006	SCREW TAPTITE M4*12 TORX
5		PULLEY
6	721418770	TUBE PIN
7	728828305	SCREW
8	411968816	SET SCREW POINTED M5*5 TORX
9	411968716	SET SCREW FLAT M5*5 TORX
10		COG BELT
11	412345401	COG BELT FOR MOTOR 400
12	412300902	HAND WHEEL

1	412742501	THREAD TENSION COVER CPL.	32	411966825	SCREW PT 16*8 FZB TORX	L
2	412521401	SPRING	33	412740602	STEPPER MOTOR	
3		PIN THREAD GUIDE	34	412920301	THEAD TENSION SET	
4	412549801	WASHER				
5		GLIDE PLATE				
6		WASHER				
7	412796001	PRINT BUTTON RIGHT				
8	412740003	THREAD TENSION				
9	412546908	CABLE ASSEMBLY (10P)				
10	412787401	KEY BOARD RIGHT				
11		CAP SPRING HOUSING				
12	412744801	TORSION SPRING				
13	735611340	WASHER				
14	412613101	SPRING THREAD TENSION				
15		PRESSURE SPRING				
16	412742401	GEAR FIXED				
17	411968703	SET SCREW FLAT M3*3 TORX				
18	412880201	GEAR RESILIENT				
19	412741701	NUT THREAD TENSION				
20	412880301	SPRING GEAR				
21	412880101	GEAR FIXED				
22		SPACING SLEEVE				
23		SPRING HOUSING, THREAD TENSION				
24	735611840	COMPRESSION RING 2,5				
25	411966805	SCREW PT 30*20 FZB TORX				
26		SENSOR, THREAD TENSION				
27		ADJUSTING SLEEVE				
28	412519202	CHECK SPRING				
29	412519301	THREAD GUIDE				
30	412744601	THREAD GUIDE				
31		SLEEVE, STEPPING				

M



N



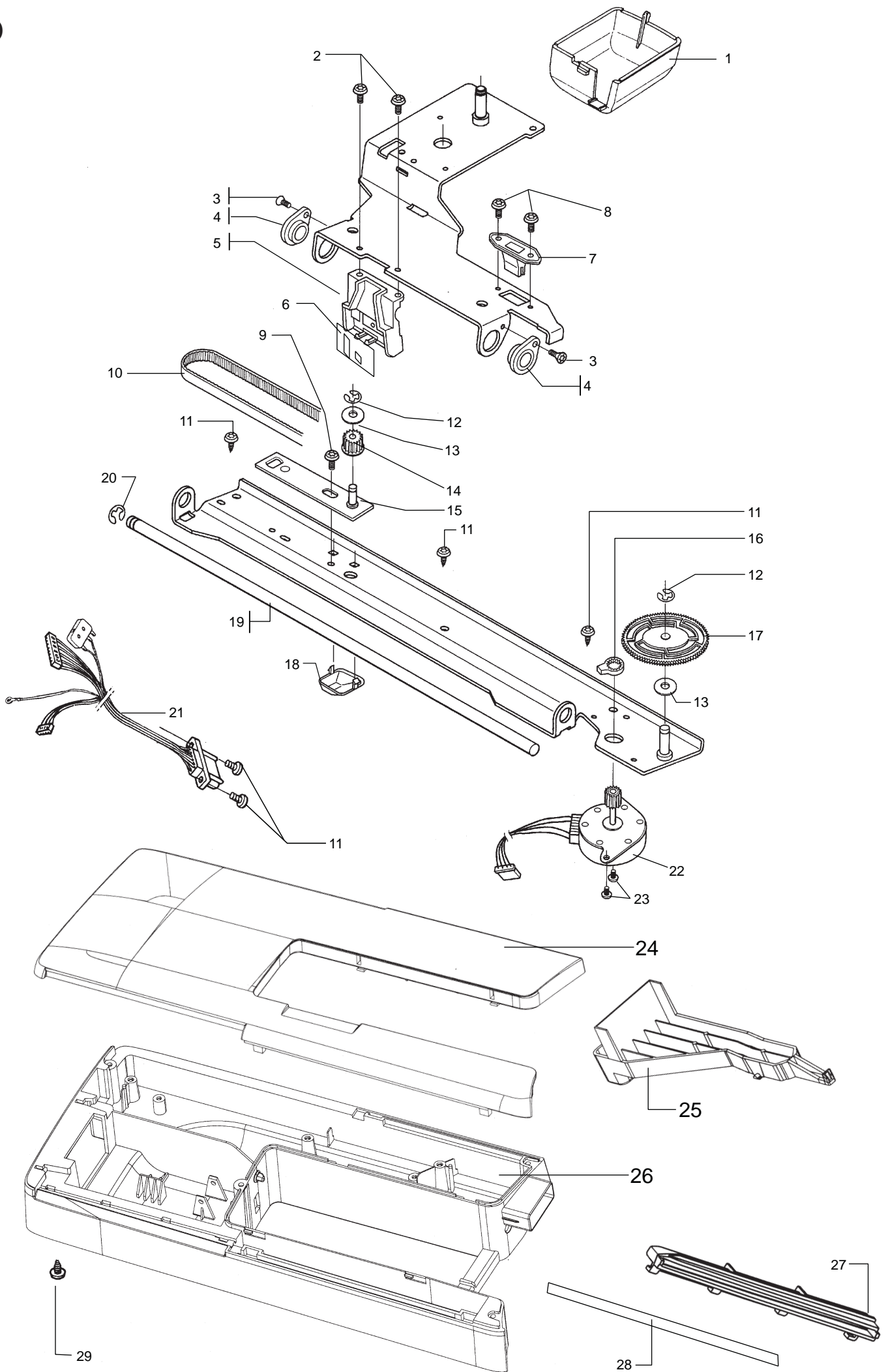
1	412492501	FOOT CONTROL CPL W. CORD REEL
2	412492501	CONTROL UNIT WITH WINDER
3	412159801	SPRING
4	412184501	FOOT
5	412746101	FOOT CONTROL, TOP AND BOTTOM
6	412157801	NET CABLE 220V
	412157903	NET CABLE 120V
	412158002	NET CABLE GB
	412158101	NET CABLE AU

M

1	412737101	ACCESSORY BOX CPL.
2	412737401	BOBBIN HOLDER
3	412774701	COVER CPL.
4	412776404	PLASTIC BAG W. ACCESSORIES
5		QUICK REFERENCE CARD ENG
6		INSTRUCTION CD
7		USERS GUIDE
8		INSTRUCTION MANUAL

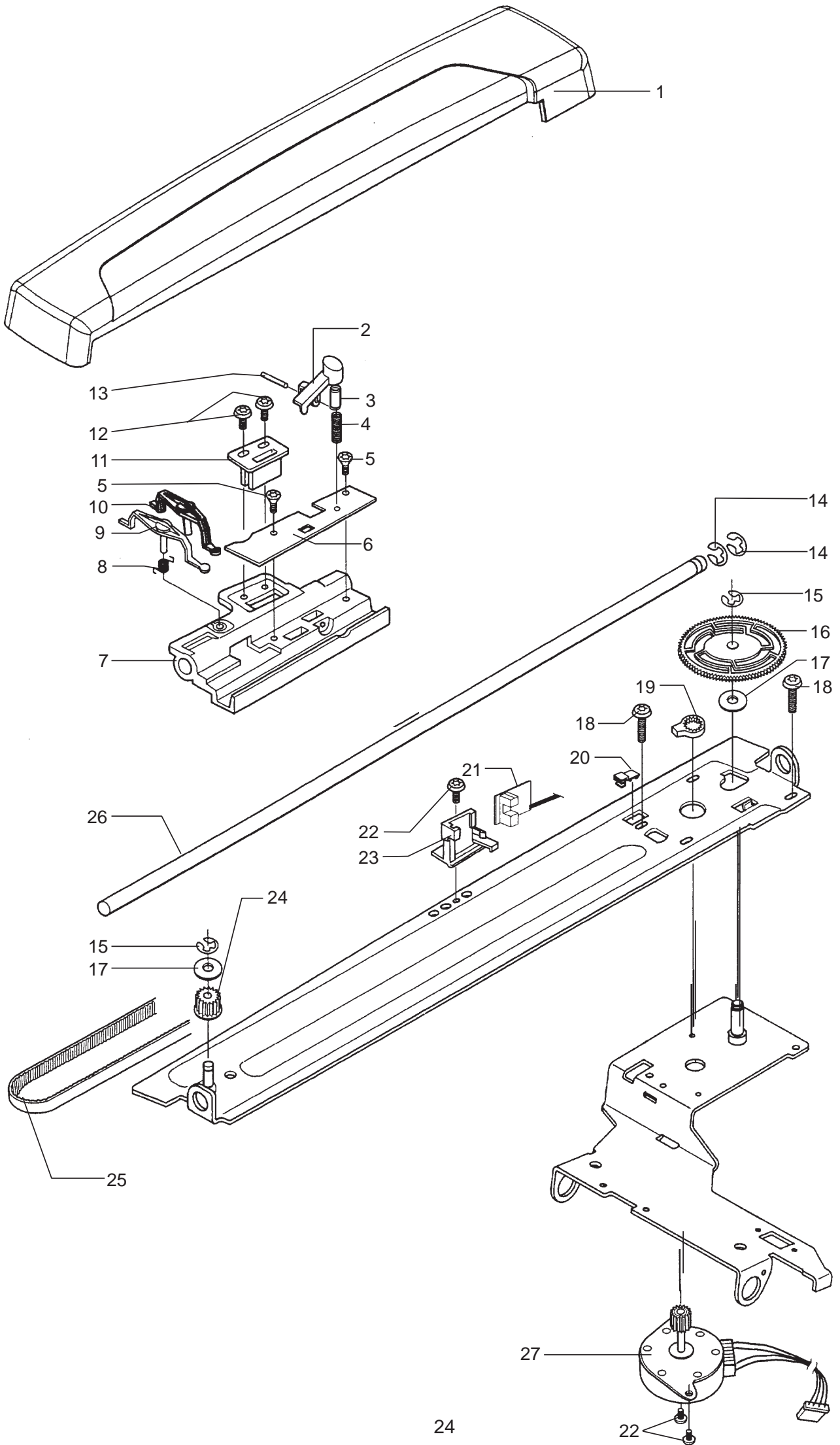
N

O



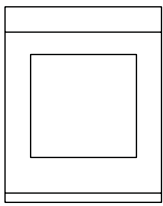
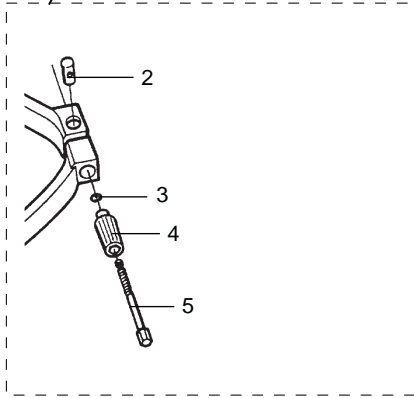
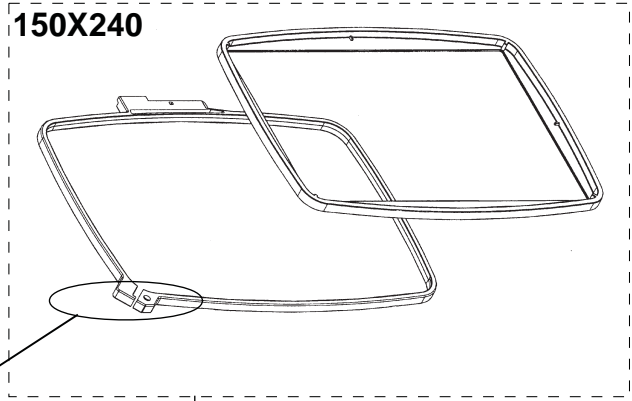
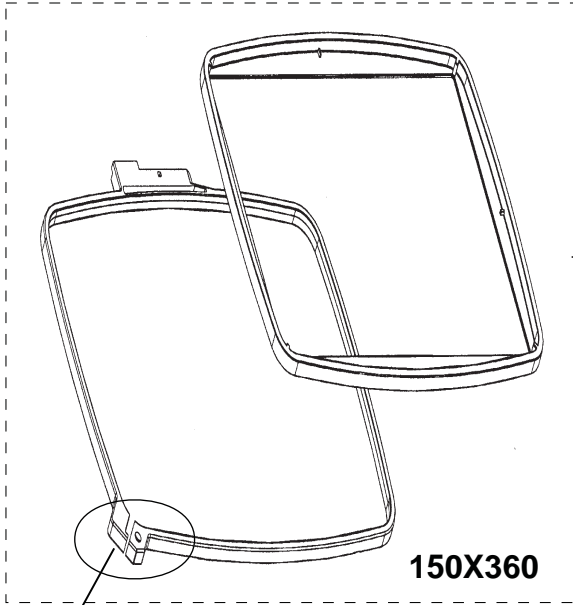
1	412720401	MOTOR COVER
2	411966801	SCREW PT 30*7,5 FZB TORX
3		SCREW M3*6
4		BEARING EMBR.UNIT
5		CARD HOLDER
6		CONNECTOR BOARD XY
7	412524801	HOLDER, XCOG BELT
8	412056004	SCREW TAPTTITE M3*6 TORX
9	412056012	SCREW TAPTTITE M4*6 TORX
10		COG BELT, XUNIT
11	411966808	SCREW PT 40*14 FZB TORX
12	735310820	LOCK WASHER 4
13	412384301	WASHER 6/13*0,6
14	412384202	COG WHEEL
15	412524901	PLATE, BELT TENSION CPL.
16	412546401	CALIBRATION LEVER
17	412524601	GEAR WHEEL
18		COVER, X-UNIT
19		SHAFT
20		C WASHER
21		CABLE FLEXIBLE
22	412561801	STEP MOTOR X-UNIT
23	412056011	SCREW TAPTTITE M3*5 TORX
24		COVER TOP XY
25		LATCH
26		COVER BOTTOM XY
27		GUIDE RAIL
28	412529701	FRICITION TAPE
29	411966807	SCREW PT 40*10 FZB TORX

P

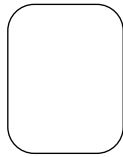


1	412527901	COVER, Y-UNIT
2	412526503	BUTTON
3	412590003	SLEEVE
4	412526601	SPRING
5	411967306	SCREW PT FS 25*6 OXSV TORX
6		PLATE, Y-UNIT
7	412526403	FRAME, YUNIT
8	412555701	SPRING
9	68006006	HOOP INDICATOR GREY
10	68006008	HOOP INDICATOR BLACK
11	412525301	HOLDER BELT
12	411966801	SCREW PT 30*7,5 FZB TORX
13	412316049	INA PIN NRB 2*7,8 0-6UM
14		C-WASHER
15	735310820	LOCK WASHER 4
16	412524601	GEAR WHEEL
17	412384301	WASHER 6/13*0,6
18	412056012	SCREW TAPTITE M4*6 TORX
19	412546401	CALIBRATION LEVER
20		CABLE HOLDER
21		HOOP SENSOR BOARD
22	412056011	SCREW TAPTITE M3*5 TORX
23		HOLDER
24	412384202	COG WHEEL
25		COG BELT, Y-UNIT
26		SHAFT
27	412524001	STEP MOTOR CPL.

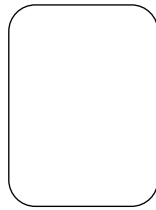
Q



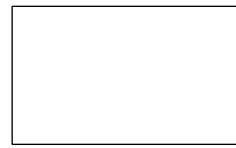
7



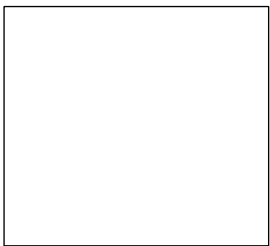
8



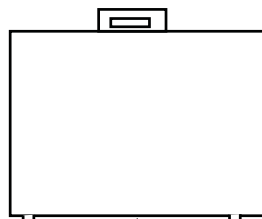
9



10



11



12



13



14



15

1		MEGA HOOP 150*360
2	412399001	NUT, EMBROIDERY FRAME
3	411981401	WASHER 6*3 2*0,5
4	412446901	GRIP SCREW EMBROIDERY FRAME
5		SCREW, EMBROIDERY FRAME
6		EMBROIDERY HOOP CPL. 150X240
7		EMBROIDERY COLLECTION
8		EMBROIDERY TEMPLATE 100X100
9	412674001	EMBROIDERY TEMPLATE 150X240
10		ZIPPER BAG
11		SEWING KIT EMBROIDERY, DESIGN
12		EMBROIDERY BOX CPL.
13	412651801	SET OF CLIPS CPL. (10X)
14	413095703	USB MEMORY 256MB
15	412693401	STYLUS, BLACK
	412693402	STYLUS, SILVER